



3.63G

WHEEL LOADER "Z" LINKAGE



DIESEL ENGINE

Engine: 4 cylinders, turbo diesel, direct injection, water cooled, paper dry filter.

Emissions in accordance with Directive CE 97/68 stage IIIA.

| | |
|------------------------------|-----------------------|
| Type | Yanmar 4TNV84T |
| Max Power | 44 KW - 60 HP |
| Rated rpm | 3.000 |
| Net power ISO/TR 14396 | 42 KW - 57 HP |
| Net power EEC/80/1269 | 42 KW - 57 HP |
| Bore | mm 84 |
| Stroke | mm 90 |
| Displacement | cm ³ 1.995 |

ELECTRIC SYSTEM

| | |
|---------------------------|-------------------|
| Battery | 12 Volt |
| Capacity EN 60095-1 | 100 Ah - 850 A |
| Alternator rating | 40 A |
| Reverse warning | Standard |
| Wiring according to | IP 67 e DIN 40050 |

TRANSMISSION

Hydrostatic transmission with automatic power regulation and closed circuit with variable-displacement pump and engine. Two forward/reverse speeds with single-lever control.

| | | |
|---------------------------|---------|---------|
| | forward | reverse |
| 1 st Gear km/h | 0÷9 | 0÷9 |
| 2 nd Gear km/h | 0÷30 | 0÷30 |

AXLES

Four wheel drive. Planetary final drives on each wheel. Fixed rigid drive axle on front chassis section. Oscillating drive axle on rear chassis section up to a total angle of 20°. Transfer gearbox transferring movement directly to the rear and to the front via a transmission shaft. Self-locking limited slip differential on front axle (optional on rear axle).

BRAKES

Service: drum-brake hydraulically operating on front axle working on all the wheels. Parking brake: mechanical drum-brake operating on service brake, manually actuated.

TYRES

| | |
|----------------|---------------|
| Standard | 405/70 R18" |
| Optional | 12,5-20" 12pr |

STEERING

Servo assisted steering hydraulic LOAD SENSING system.

| | |
|--------------------------------------|----------|
| Total steering angle | 80° |
| Inner tyres turning radius | mm 2.220 |
| External tyres turning radius | mm 4.050 |
| External bucket turning radius | mm 4.350 |

HYDRAULIC SYSTEM

Hydraulic gear pump with LOAD SENSING priority valve for steering circuit. 2-section modular control valve with main relief valve. Doubleacting hydraulic cylinders. Hydraulic oil cooling radiator. Full-flow oil filter on the leakage pipe. Single cloche-lever arm control with 4-position lifting system and 3-position bucket system.

| | | |
|--------------------------------------|-------|--------|
| Max flow | lt/1' | 60 |
| Loader relief valve pressure | bar | 230 |
| Steering relief valve pressure | bar | 190 |
| Lift cylinder | mm | 70x937 |
| Bucket cylinder | mm | 80x895 |

SERVICES CAPACITIES

| | | |
|------------------------------|----|-----|
| Engine | lt | 7 |
| Gearbox | lt | 2,8 |
| Differential | lt | 2 |
| Planetary final device | lt | 0,2 |
| Hydraulic circuit | lt | 60 |
| Brake system | lt | 1 |
| Fuel | lt | 60 |
| Water cooling | lt | 15 |

TECHNICAL FEATURES

| | | |
|---------------------------------------|----------------|-------|
| Standard bucket capacity | m ³ | 0,80 |
| Bucket width | mm | 1.900 |
| Straight static tipping load | kg | 3.850 |
| Full turned 40° tipping load | kg | 3.450 |
| Lifting capacity at max. height | kg | 2.500 |
| Dump clearance | mm | 3.165 |
| Dump height at 40° | mm | 2.580 |
| Reach at 40° | mm | 670 |
| Breakout force | kg | 4.700 |

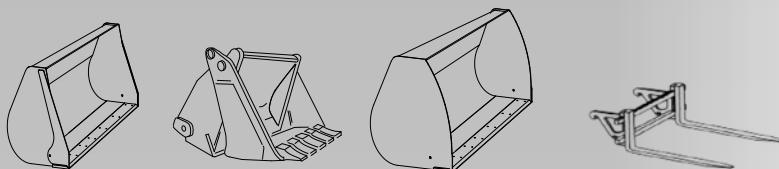
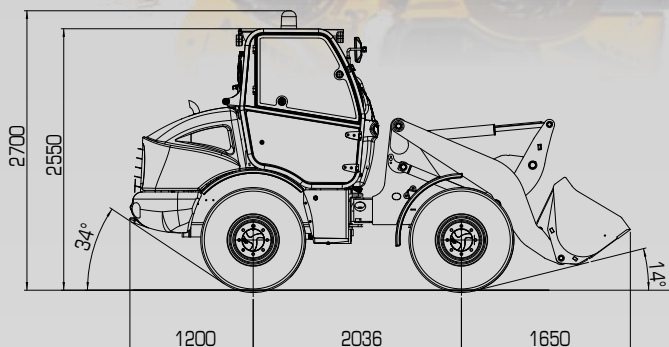
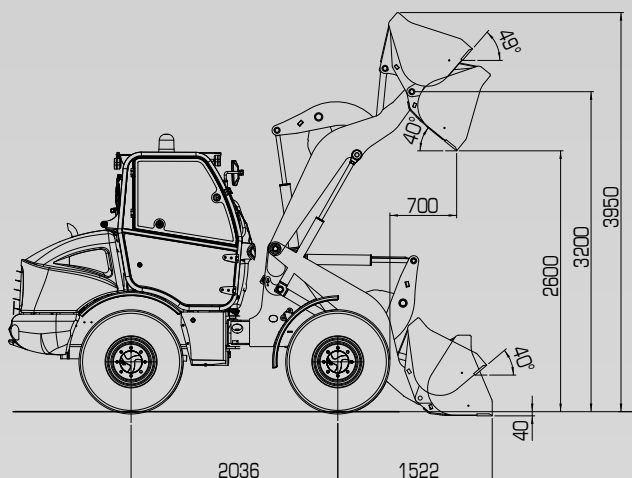
DIMENSIONS AND WEIGHT

| | | |
|---------------------------------------|----|-------|
| Max lenght in transfer position | mm | 4.886 |
| Max width in transfer position | mm | 1.900 |
| Max height | mm | 2.550 |
| Track width | mm | 1.360 |
| Overall tyre width | mm | 1.820 |
| Wheel base | mm | 2.036 |
| Ground clearance | mm | 340 |
| Standard operating weight | kg | 4.900 |
| Max operating weight | kg | 6.200 |



3.63G

WHEEL LOADER "Z" LINKAGE



PERFORMANCE DATA

| | | UNIVERSAL BUCKET | MULTI PURPOSE BUCKET | OVERSIZE | FORKS |
|---|----------------|------------------|----------------------|----------|-------|
| Full load bucket capacity (SAE) | m ³ | 0,8 | 0,7 | 1,5 | / |
| Bucket width | mm | 1.900 | 1.900 | 2.100 | / |
| Bucket weight | kg | 325 | 450 | 450 | / |
| Max operative height | mm | 3.950 | 3.750 | 3.900 | / |
| Forks length (Standard) | mm | | | | 1.000 |
| Forks length (Optional) | mm | | | | 1.200 |
| Bucket pin height | mm | 3.200 | 3.200 | 3.200 | / |
| Dump clearance | ° | 40° | 40° | 40° | / |
| Dump height | mm | 2.600 | 2.625 | 2.500 | / |
| Dump distance | mm | 700 | 730 | 750 | / |
| Max dump distance | mm | 2.000 | 1.950 | 2.100 | / |
| Bucket static tipping load, straight | kg | 3.850 | 4.100 | 3.650 | / |
| Bucket static tipping load, full turn (40°) | kg | 3.450 | 3.700 | 3.250 | / |
| Forks static tipping load, full turn (40°) | kg | | | | 2.650 |
| Forks Payload EN 474-3 (80%) | kg | | | | 2.120 |
| Carico operativo forche EN 474-3 (60%) | kg | | | | 1.590 |
| Breakout force | kg | 4.700 | 5.000 | 4.400 | / |
| Total length | mm | 4.886 | 4.936 | 4.936 | / |
| External bucket turning radius | mm | 4.350 | 4.300 | 4.400 | / |
| Total weight | kg | 4.900 | 5.000 | 5.000 | / |



VENIERI

Via Piratello, 106 - 48022 Lugo (RA) ITALY
 Tel. +39 0545 904411 Fax +39 0545 30389
 e-mail: info@vf-venieri.com www.vf-venieri.com
Spare Parts
 Tel. +39 0545 904429 Fax +39 0545 24555

The illustrations on the present folder do not necessarily show the product standard version. Data and dimensions described in this folder are not binding. Venieri reserves the right of carrying out possible changes at any time and without previous notice because of its policy of steady development and improvement of the products.